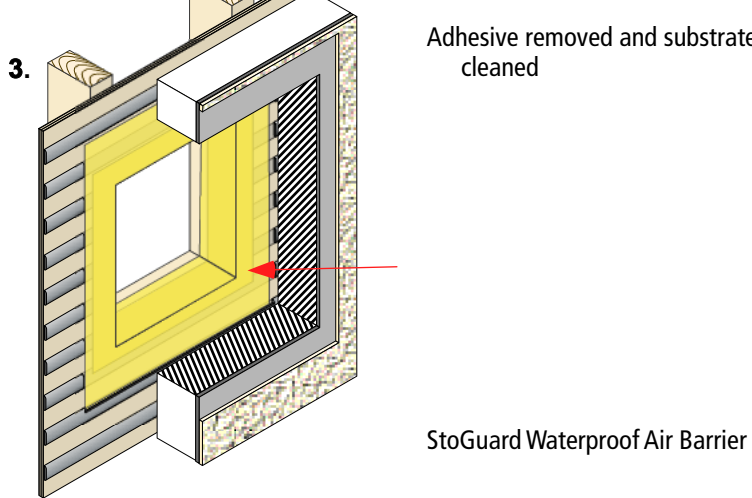
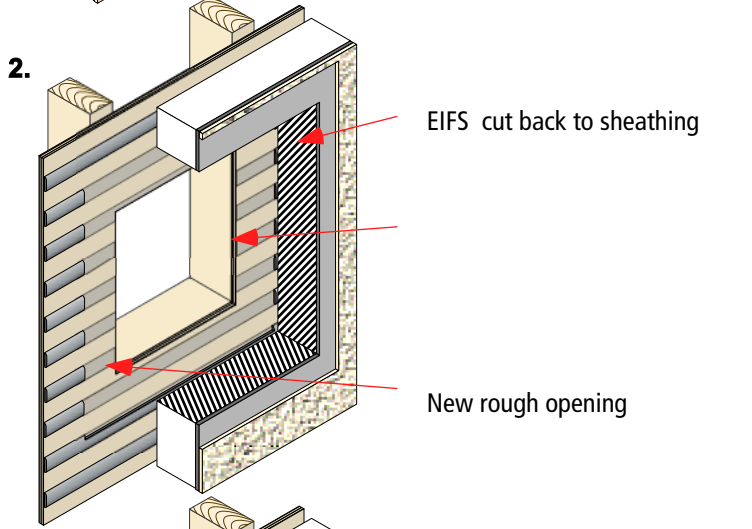
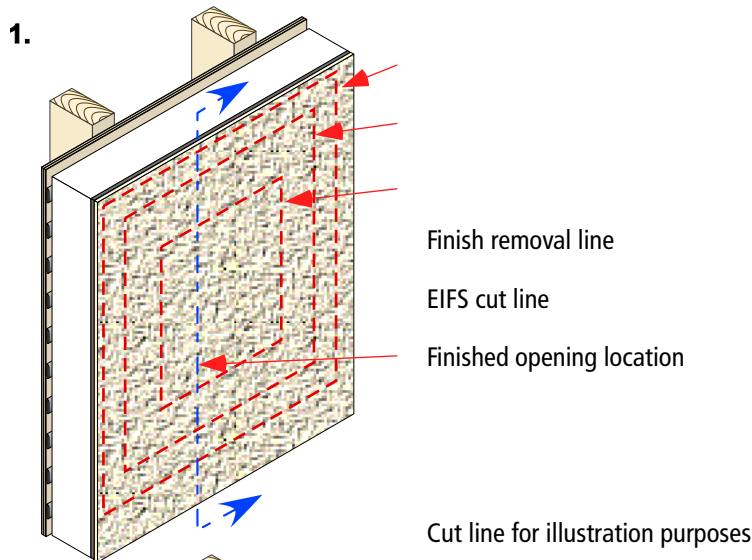


Sto reStore Adding an Opening

Detail No.: 74.28

Date: January 2012



1. Procedure illustrates a method for installing a new opening in an existing EIFS cladding. Opening size may range from a small opening (duct) to large opening (window).

Mark the wall where the opening is to be installed. The procedure for opening the wall and preparing the EIFS is outlined in Sto ReStore Detail 72.50.

For purposes of clarity only half of this detail is illustrated as indicated by the blue section arrows.

Ensure that there is adequate protection from inclement weather during the period the wall is open and being repaired.

2. Cut the EIFS back a minimum of 3" (75 mm) from the new opening.

Inspect the sheathing and framing for any water or other damage. If damage is detected, stop work and contact experts for further remedial action.

Clean the substrate of old adhesive and other detritus that could affect the bond of new materials.

Ensure that there is adequate framing and support for the size of the opening and the object that will be placed into the opening.

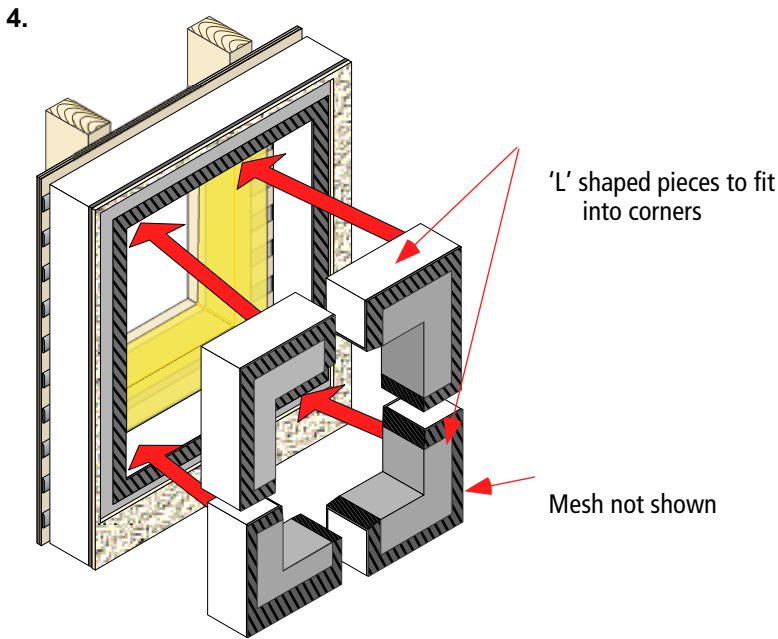
3. Install StoGuard Waterproof Air Barrier into the rough opening and onto the face of the sheathing.

If the opening requires a head flashing then it should be incorporated into the StoGuard installation at this point as per Sto Detail 10.23B.

Other flashing, such as sill flashing, should be installed later in the process. Ensure that the

proper clearance has been installed to incorporate required flashing.

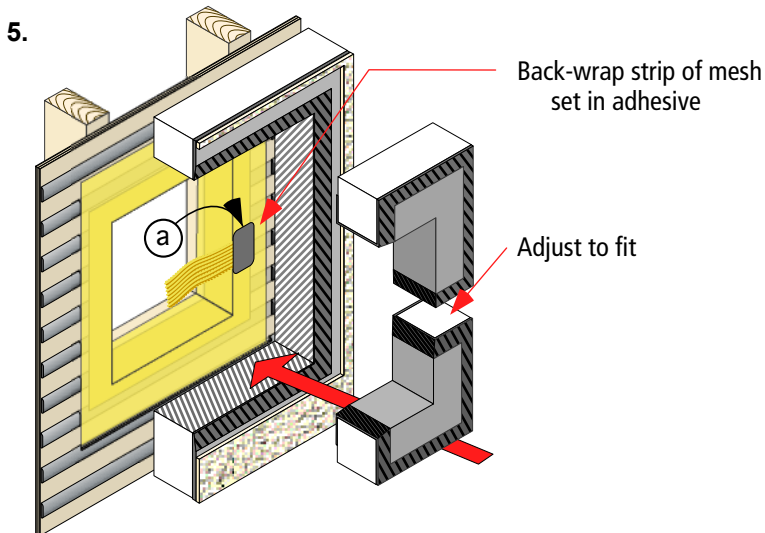
If opening is to accommodate a heat producing duct, such as a fireplace exhaust, then additional set back of the new EIFS will be required. Consult



4. The procedure for opening the wall and preparing the EIFS is outlined in Sto ReStore Detail 72.50. The exact configuration of the infill pieces will depend on the size of the opening. However, pre-wrapped 'L' shaped pieces of insulation should be installed into the corners. For larger openings straight pieces may be fitted between the corner 'L' pieces.

The mesh is not shown in this illustration for clarity.

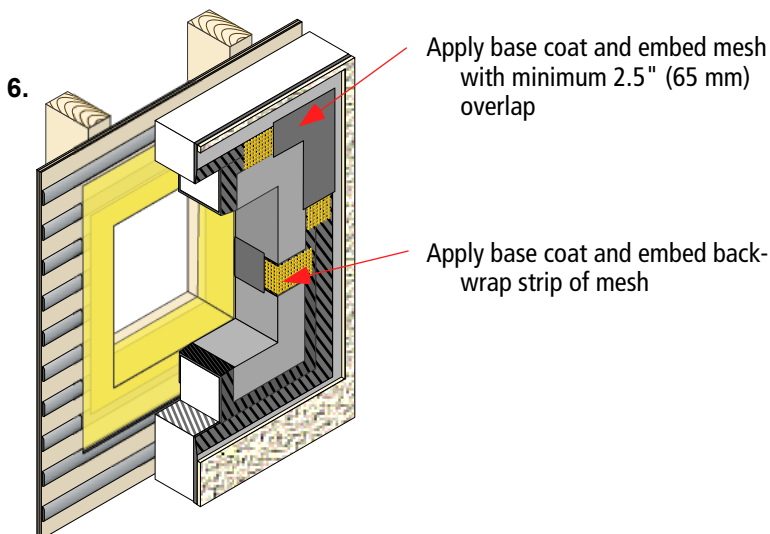
Size the prewrapped pieces to accommodate any flashing (head and sill) if required, and space for backer rod and sealant. Take into account any unique conditions that may affect the final weather seal around the opening. Also take into consideration the requirements for an air seal between the penetrating object and the StoGuard.



5. Fitting prewrapped pieces into the opening may require adjustment of the pieces. For that reason it may be better to not install mesh for over lap at the point where the pieces will meet to allow the pieces to be trimmed. In that case a 5" (125 mm) wide (minimum) strip of mesh should be set in base coat or adhesive at the point where the pieces will meet (see 'a' in illustration) prior to the final setting of the pieces. The mesh strip will be used to back wrap the joint with at least 2.5" (65

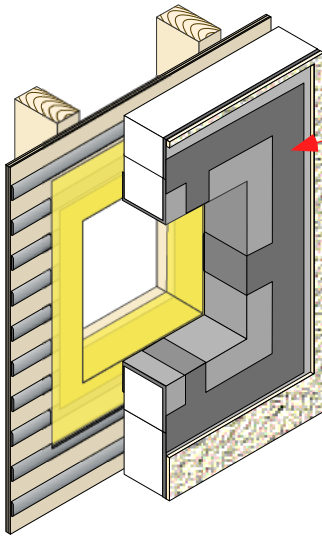
mm) lapping onto each piece. Refer to Sto reStore Detail 72.04.

Allow the adhesive to cure for a minimum of 24 hours prior to proceeding.



6. When the pieces are set into place finish the back wrap noted at 'a' by applying fresh base coat and trowelling the mesh strip into the wet base coat ensuring the mesh overlaps each piece a minimum of 2.5" (65 mm). Complete the base coat and mesh overlaps on the perimeter as outlined in Sto reStore Detail 72.50. Allow the base coat to cure for 24 hours.

7.

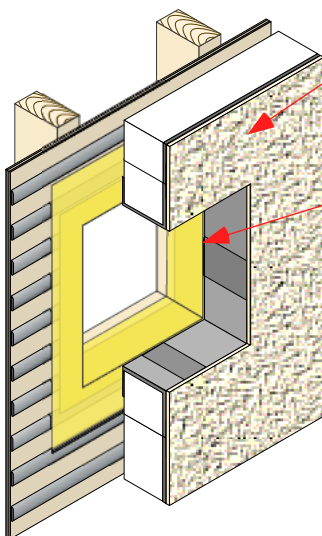


Completed base coat material installed with mesh overlapping the existing

7. Complete the base coat and mesh embedment. Allow the base coat to cure for 24 hours.

Optional: Apply Sto Primer to cured base coat.

8.



New finish installed

Completed repair

8. Complete the repair by installing matching finish as noted in Sto reStore Detail 72.50. Do not install finish on any surface to receive sealant. If

Sto Primer is used then it may be returned onto a surface that will receive sealant.

If a sill flashing is installed, integrate it with the StoGuard Waterproof Air Barrier as illustrated in

Sto Detail 10.26A. The flashing must drain out-bound of the wall surface.

Protect the new finish until dry.

Depending on the age of the original finish the repair may remain visible as a repair. Texture may be slightly different from the original and the color may differ slightly. Over time the repair will 'weather-in' and be less noticeable.

or 72.02 Rebase with Texture Coating for ~~Alternative finishing finishes required~~ refer to ReStore Detail 72.01 Recoat with Smooth Coating

Sto Corp.
 3800 Camp Creek Parkway
 Building 1400, Suite 120
 Atlanta, GA 30331
 Phone 404-346-3666
 Toll Free 888-786-3437
 Fax 404-346-3119
www.stocorp.com

Attention

Sto products are intended for use by qualified professional contractors, not consumers, as a component of a larger construction assembly as specified by a qualified design professional, general contractor or builder. They should be installed in accordance with those specifications and Sto's instructions. Sto Corp. disclaims all, and assumes no, liability for on-site inspections, for its products applied improperly, or by unqualified persons or entities, or as part of an improperly designed or constructed building, for the nonperformance of adjacent building components or assemblies, or for other construction activities beyond Sto's control. Improper use of Sto products or use as part of an improperly designed or constructed larger assembly or building may result in serious damage to Sto products, and to the structure of the building or its components. **STO CORP. DISCLAIMS ALL WARRANTIES EXPRESS OR IMPLIED EXCEPT FOR EXPLICIT LIMITED WRITTEN WARRANTIES ISSUED TO AND ACCEPTED BY BUILDING OWNERS IN ACCORDANCE WITH STO'S WARRANTY PROGRAMS WHICH ARE SUBJECT TO**

CHANGE FROM TIME TO TIME. For the fullest, most current information on proper application, clean-up, mixing and other specifications and warranties, cautions and disclaimers, please refer to the Sto Corp. website, www.stocorp.com.