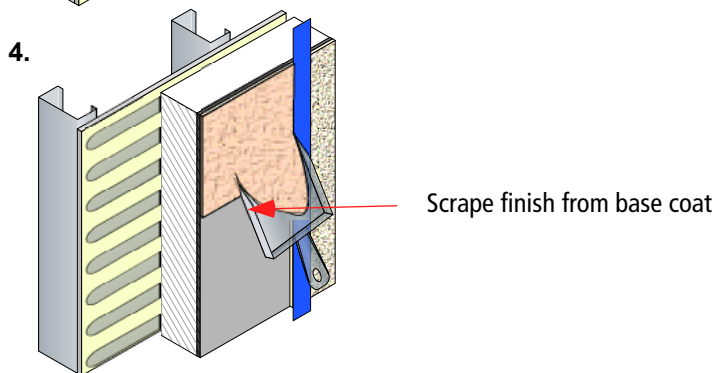
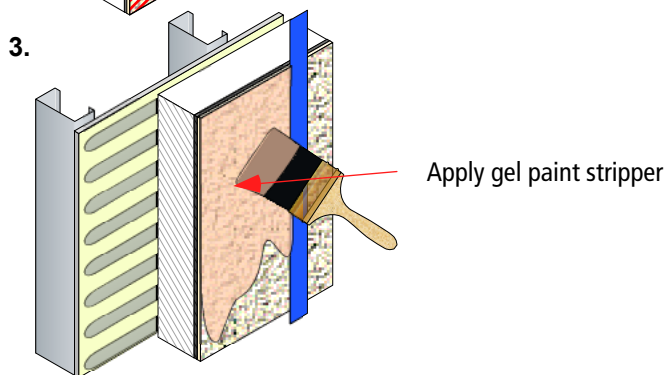
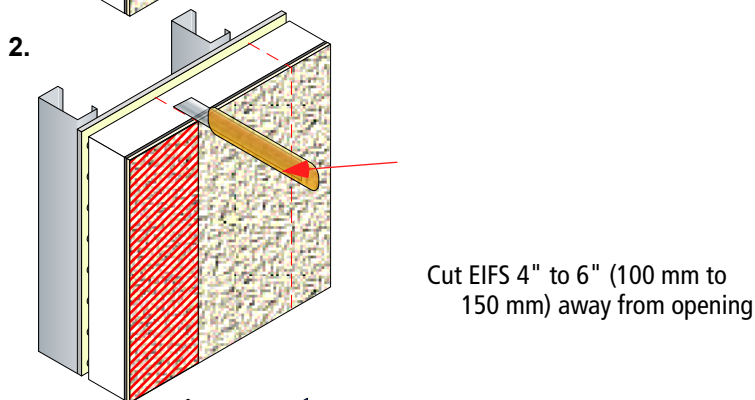
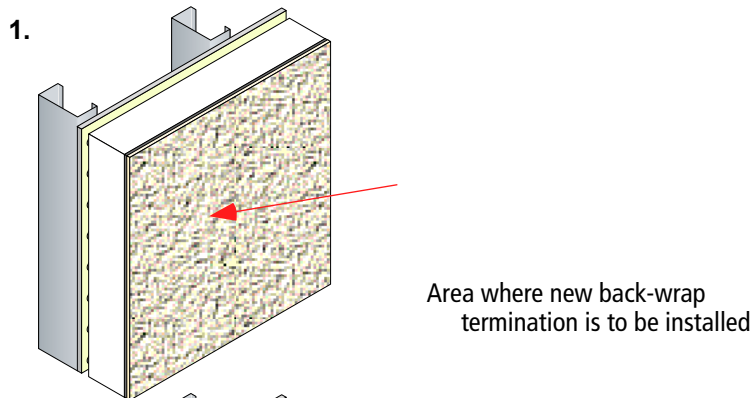


Sto reStore

New back-wrap termination

Detail No.: 72.50

Date: December 2010



1. Procedure illustrates steps to install a new back-wrap termination or replace an existing one.

2. Mark area to be cut away. Cut EIFS through finish, base coat, mesh, and insulation to the substrate, and remove them. Clean remaining adhesive from the substrate.

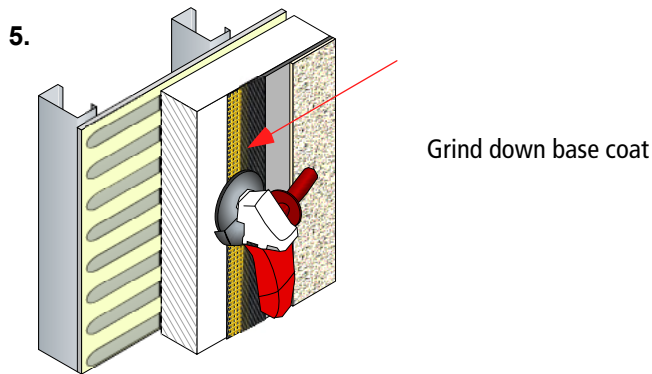
Note: Inspect the substrate for damage. If the substrate is damaged do not proceed until the extent of the damage and scope of required repair is determined.

3. Mark off the area 3" (75 mm) from the edges of the new opening. Install masking tape tightly to that edge.

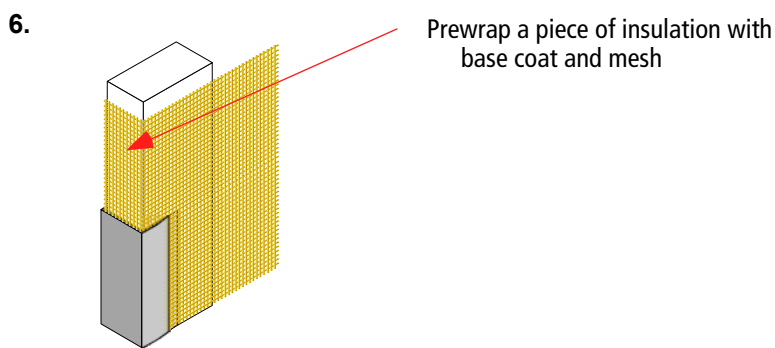
Apply a water-based gel paint stripper to the area between the masking tape and the newly cut edge.

Protect adjacent areas from spillage.

4. Scrape the softened finish from the base coat, leaving a neat edge at the masking tape. Rinse off any remaining paint stripper using clean water.



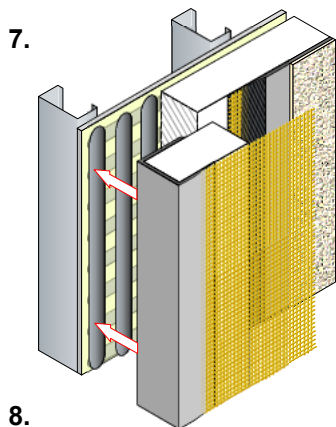
5. Grind the edge surface of the base coat away from the cut edge exposing the reinforcing mesh.



6. To complete a neat finished edge the replacement piece of insulation may be pre-wrapped with base coat and mesh. Apply base coat to the back of the insulation and the exposed edge, and feather it onto the face.

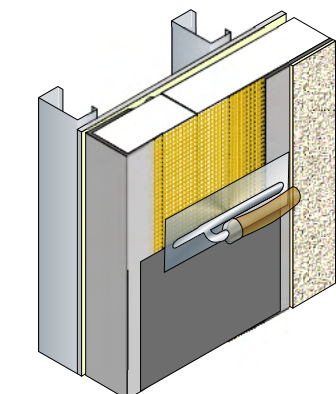
Immediately trowel in a piece of reinforcing mesh that will extend beyond the face of the insulation piece a minimum 3" (75 mm). Keep the free end of the mesh clean and free of base coat debris.

Allow the pre-wrapped piece to dry.

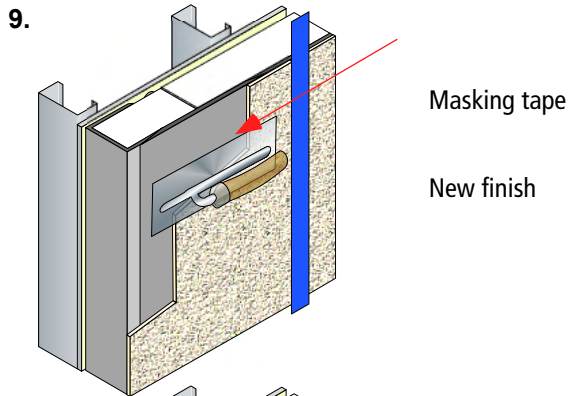


7. Install the pre-wrapped piece using vertical ribbons of adhesive at a jamb face and head face of an opening. Use horizontal ribbons of adhesive at a sill. The specified direction of the adhesive ribbons will hinder water entry at the jambs and sill of the opening and allow it to drain at the head. If the installation is a barrier design (no drainage capacity), then use horizontal ribbons at the head.

Allow the adhesive to dry a minimum of 24 hours.

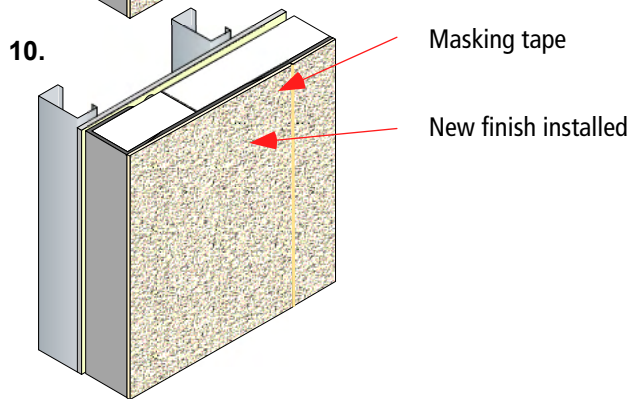


8. Holding the mesh back, apply new base coat material to the exposed foam and existing base coat where the mesh has been exposed. Immediately release the mesh and trowel it into the wet base coat so that mesh overlaps a minimum of 2.5" (65 mm). Trowel the base coat smooth and even with the existing base coat surface.



9. Re-mask the area around the edge of the finish. Install new finish within area protected by the masking tape. Immediately remove the masking tape and blend the new finish into the existing with a brush or other appropriate tool.

Note: Do not apply finish to the exposed end of the EIFS if the end is to receive sealant.



10. Protect the new finish until dry.

Depending on the age of the original finish, the repair may remain visible as a repair. Texture may be slightly different from the original and the color may differ slightly. Over time the repair will 'weather in' and be less noticeable.

If a more uniform finish is required, refer to ReStore Detail 72.01 Recoat with Smooth Coating or 72.02 Rebase with Texture Coating for alternate finishing procedures.

Sto Corp.
 3800 Camp Creek Parkway
 Building 1400, Suite 120
 Atlanta, GA 30331
 Phone 404-346-3666
 Toll Free 888-786-3437
 Fax 404-346-3119
www.stocorp.com

Attention

Sto products are intended for use by qualified professional contractors, not consumers, as a component of a larger construction assembly as specified by a qualified design professional, general contractor or builder. They should be installed in accordance with those specifications and Sto's instructions. Sto Corp. disclaims all, and assumes no, liability for on-site inspections, for its products applied improperly, or by unqualified persons or entities, or as part of an improperly designed or constructed building, for the nonperformance of adjacent building components or assemblies, or for other construction activities beyond Sto's control. Improper use of Sto products or use as part of an improperly designed or constructed larger assembly or building may result in serious damage to Sto products, and to the structure of the building or its components. **STO CORP. DISCLAIMS ALL WARRANTIES EXPRESS OR IMPLIED EXCEPT FOR EXPLICIT LIMITED WRITTEN WARRANTIES ISSUED TO AND ACCEPTED BY BUILDING OWNERS IN ACCORDANCE WITH STO'S WARRANTY PROGRAMS WHICH ARE SUBJECT TO**

CHANGE FROM TIME TO TIME. For the fullest, most current information on proper application, clean-up, mixing and other specifications and warranties, cautions and disclaimers, please refer to the Sto Corp. website, www.stocorp.com.