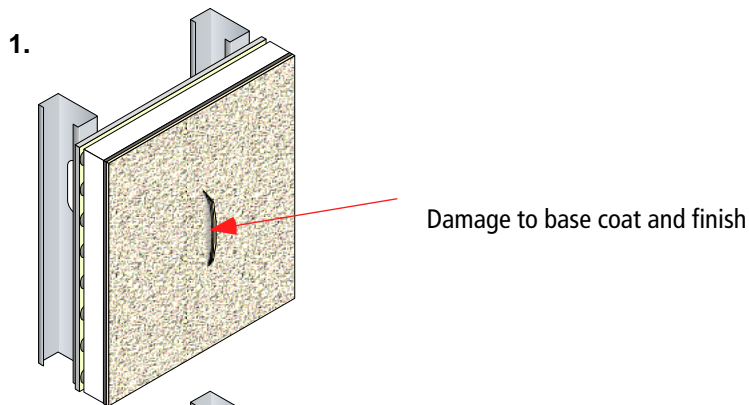


Sto reStore

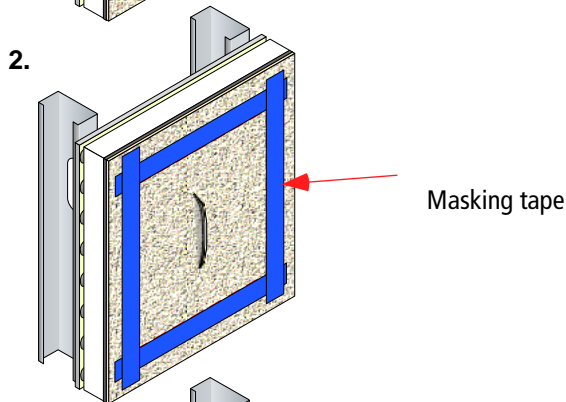
Base coat and finish repair

Detail No.: 72.03

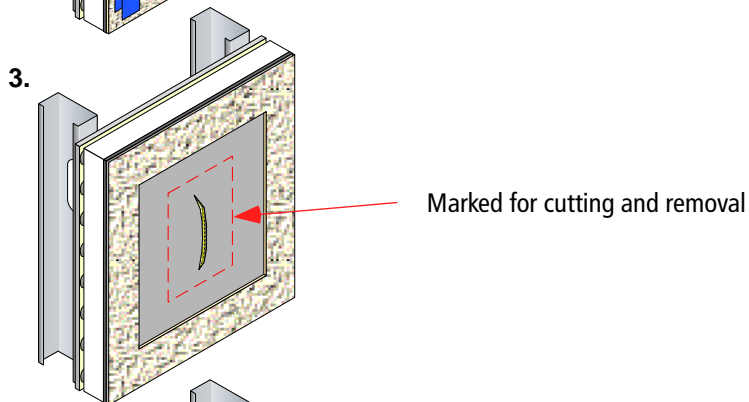
Date: December 2010



1. Procedure illustrates repairs to base coat and finish damage where the insulation remains intact.

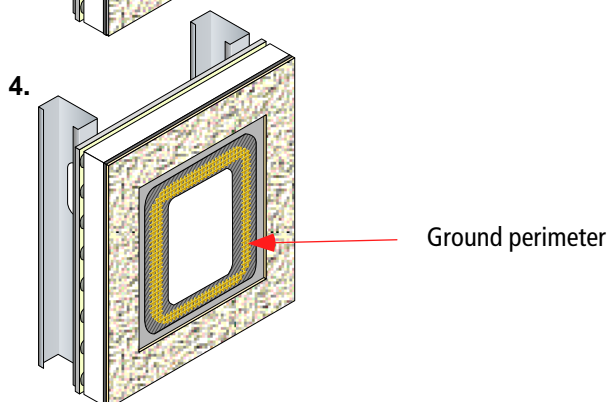


2. Mask off the area around the damage approximately 6" (150 mm) from the edges of the damage. Remove the finish with a grinder or water-based gel paint stripper as described in StoTherm® EIFS Reference Guide: Repair and Maintenance, Repair of Puncture Damage in EIFS 2.03.

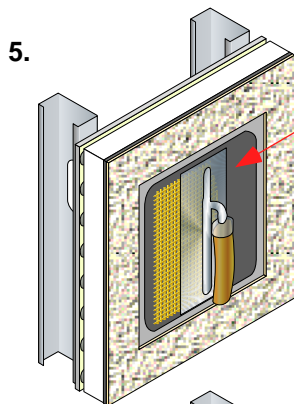


3. Mark off the area 3" (75 mm) from the edges of the damage and cut the base coat and mesh with a straight edge. Carefully remove the base coat and mesh around the damage.

Inspect the insulation for damage. If the insulation shows signs of damage or the presence of water penetration, do not proceed until further remedial steps have been specified.



4. Scrape or grind the edge surface of the base coat away from the cut edge, exposing approximately 2.5" (65 mm) of reinforcing mesh.

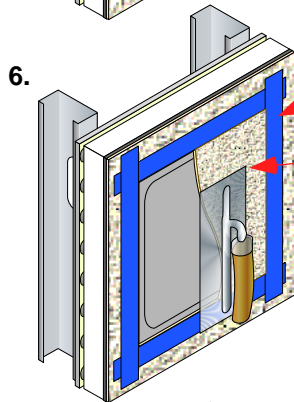


5.

New base coat material installed with new mesh overlapping the existing mesh

5. Install base coat and mesh over the exposed insulation. Cut the mesh to overlap the ground base coat and mesh a minimum of 2.5" (63 mm).

Allow the patch to dry for 24 hours.



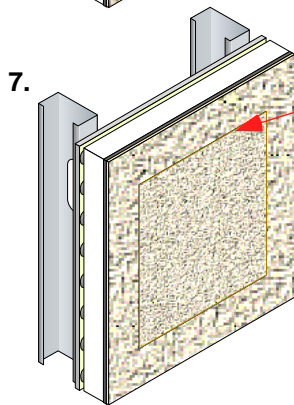
6.

Masking tape

New finish installed

6. Re-mask the area around the edge of the finish. Install new finish within area protected by the

masking tape. Immediately remove the masking tape and blend the new finish into the existing with a brush or other appropriate tool.



7.

Completed repair

7. Protect the new finish until dry.

Depending on the age of the

original finish the repair may remain visible as a repair. Texture may be slightly different from the original and the color may differ slightly. Over time the repair will 'weather in' and be less

noticeable.

IF a more uniform finish is required, refer to ReStore Detail 72.01 Recoat with Smooth Coating or 72.02 Rebase with Texture Coating for alternate finishing procedures.

Sto Corp.
 3800 Camp Creek Parkway
 Building 1400, Suite 120
 Atlanta, GA 30331
 Phone 404-346-3666
 Toll Free 888-786-3437
 Fax 404-346-3119
www.stocorp.com

Attention

Sto products are intended for use by qualified professional contractors, not consumers, as a component of a larger construction assembly as specified by a qualified design professional, general contractor or builder. They should be installed in accordance with those specifications and Sto's instructions. Sto Corp. disclaims all, and assumes no, liability for on-site inspections, for its products applied improperly, or by unqualified persons or entities, or as part of an improperly designed or constructed building, for the nonperformance of adjacent building components or assemblies, or for other construction activities beyond Sto's control. Improper use of Sto products or use as part of an improperly designed or constructed larger assembly or building may result in serious damage to Sto products, and to the structure of the building or its components. **STO CORP. DISCLAIMS ALL WARRANTIES EXPRESS OR IMPLIED EXCEPT FOR EXPLICIT LIMITED WRITTEN WARRANTIES ISSUED TO AND ACCEPTED BY BUILDING OWNERS IN ACCORDANCE WITH STO'S WARRANTY PROGRAMS WHICH ARE SUBJECT TO**

CHANGE FROM TIME TO TIME. For the fullest, most current information on proper application, clean-up, mixing and other specifications and warranties, cautions and disclaimers, please refer to the Sto Corp. website, www.stocorp.com.