



Building with conscience.

# StoQuik<sup>®</sup> Finish System for Soffits & Ceilings

Detail Booklet

Series 14.xx | October 2023

Facades



Direct Applied  
Finish Systems (DEFS)

StoQuik<sup>®</sup> Finish System for Soffits and Ceilings is a decorative and protective direct applied acrylic based textured finish system. Sto's high performance finishes applied over approved glass mat gypsum or fiber-mat reinforced cement board provide handsome aesthetics and a durable exterior skin.

StoQuik<sup>®</sup> Finish System for Soffit and Ceilings can be used in residential or commercial wall construction.



# Design Details

## Components

|  |       |
|--|-------|
| System Components .....                    | 14.00 |
| Installation at Vents and Joints .....     | 14.10 |
| Termination at Abutting Wall .....         | 14.20 |
| Termination with StoTherm® ci Fascia ..... | 14.30 |



### ATTENTION

The final design of any project is the sole responsibility of the Design Professional, with considerations for compliance with local building and design codes and requirements. Sto Corp. accepts no liability for design, engineering, or workmanship of any project. The information provided herein is in addition to other technical data provided by Sto Corp. (System Bulletin, Specification, Guide Details, etc). For more information, please visit [www.stocorp.com](http://www.stocorp.com)

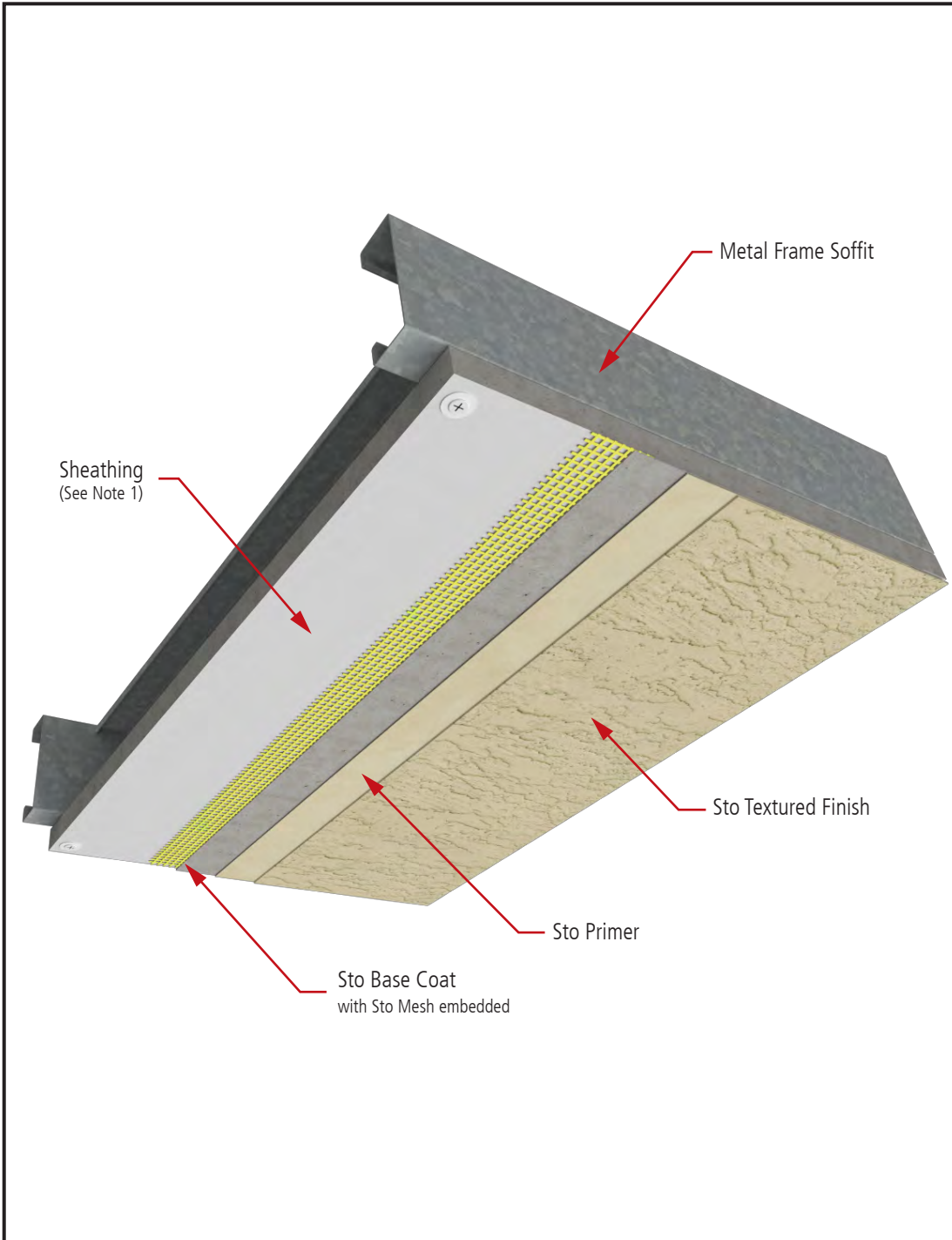
### Sto Corp.

3800 Camp Creek Pkwy. SW  
Bldg. 1400 • Suite 120  
Atlanta, GA 30331  
Tel: (800) 221-2397  
Fax: (404) 346-3119  
<http://www.stocorp.com>  
[helpdesk.stocorp.com](mailto:helpdesk.stocorp.com)

# StoQuik® Finish System for Soffits & Ceilings

## System Components

Detail No.: 14.00  
Date: October 2023



### Notes:

1. Glass mat gypsum sheathing in compliance with ASTM C1177 or cementitious sheathing in compliance with ASTM C1325.
2. Sheathing is to be installed on a structure sufficient to resist live loads limiting deflection to L/360 normal to the plane of the soffit.
3. Soffit shall be protected from wind blown rain.
4. Soffit shall be designed to prevent accumulation of water behind the sheathing and finish system.
5. StoQuik® Finish Systems for Soffits and Ceilings is not designed to function as an air barrier. The designer should not vent interior conditioned air into the cavity above the soffit.
6. Components not identified as Sto are furnished by other manufacturers and are not necessarily installed by trades who install the Sto products. Refer to project specific contract documents.

### ATTENTION

Property of Sto Corp. All Rights Reserved.

[www.stocorp.com](http://www.stocorp.com)

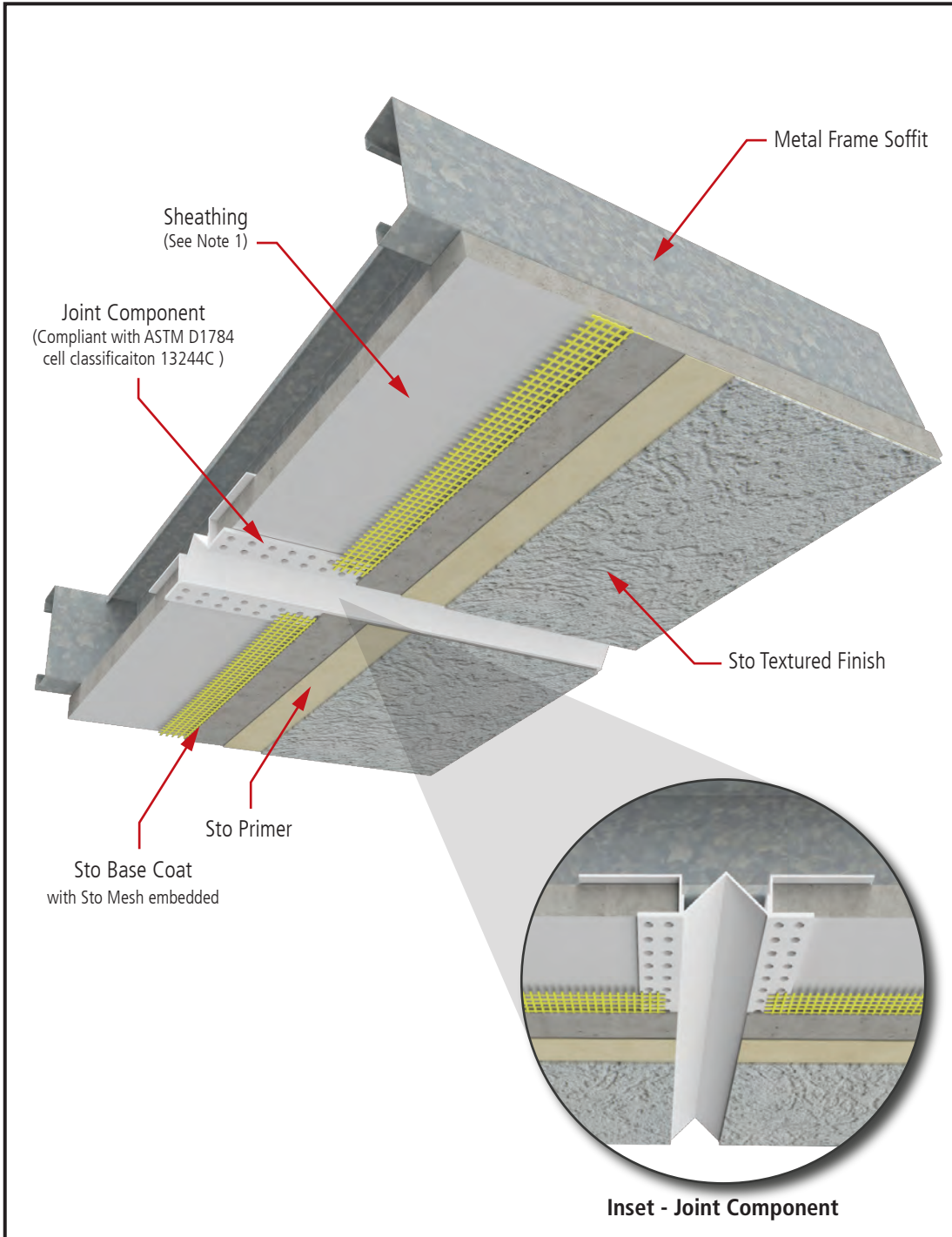
Sto products are intended for use by qualified professional contractors, not consumers, as a component of a larger construction assembly as specified by a qualified design professional, general contractor or builder. They should be installed in accordance with those specifications and Sto's instructions. Sto Corp. disclaims all, and assumes no, liability for on-site inspections, for its products applied improperly, or by unqualified persons or entities, or as part of an improperly designed or constructed building, for the nonperformance of adjacent building components or assemblies, or for other construction activities beyond Sto's control. Improper use of Sto products or use as part of an improperly designed or constructed larger assembly or building may result in serious damage to Sto products, and to the structure of the building or its components.

STO CORP. DISCLAIMS ALL WARRANTIES EXPRESSED OR IMPLIED EXCEPT FOR EXPLICIT LIMITED WRITTEN WARRANTIES ISSUED TO AND ACCEPTED BY BUILDING OWNERS IN ACCORDANCE WITH STO'S WARRANTY PROGRAMS WHICH ARE SUBJECT TO CHANGE FROM TIME TO TIME. For the fullest, most current information on proper application, clean-up, mixing and other specifications and warranties, cautions and disclaimers, please refer to the Sto Corp. website, [www.stocorp.com](http://www.stocorp.com).



# StoQuik® Finish System for Soffits & Ceilings Joints

Detail No.: 14.10  
 Date: October 2023  
 Page 1 of 2



## Notes:

1. Glass mat gypsum sheathing in compliance with ASTM C1177 or cementitious sheathing in compliance with ASTM C1325.
2. Sheathing is to be installed on a structure sufficient to resist live loads limiting deflection to L/360 normal to the plane of the soffit.
3. Soffit shall be protected from wind blown rain.
4. Soffit shall be designed to prevent accumulation of water behind the sheathing and finish system.
5. StoQuik® Finish Systems for Soffits and Ceilings is not designed to function as an air barrier. The designer should not vent interior conditioned air into the cavity above the soffit.
6. Components not identified as Sto are furnished by other manufacturers and are not necessarily installed by trades who install the Sto products. Refer to project specific contract documents.

## ATTENTION

Property of Sto Corp. All Rights Reserved.

[www.stocorp.com](http://www.stocorp.com)

Sto products are intended for use by qualified professional contractors, not consumers, as a component of a larger construction assembly as specified by a qualified design professional, general contractor or builder. They should be installed in accordance with those specifications and Sto's instructions. Sto Corp. disclaims all, and assumes no, liability for on-site inspections, for its products applied improperly, or by unqualified persons or entities, or as part of an improperly designed or constructed building, for the nonperformance of adjacent building components or assemblies, or for other construction activities beyond Sto's control. Improper use of Sto products or use as part of an improperly designed or constructed larger assembly or building may result in serious damage to Sto products, and to the structure of the building or its components.

STO CORP. DISCLAIMS ALL WARRANTIES EXPRESSED OR IMPLIED EXCEPT FOR EXPLICIT LIMITED WRITTEN WARRANTIES ISSUED TO AND ACCEPTED BY BUILDING OWNERS IN ACCORDANCE WITH STO'S WARRANTY PROGRAMS WHICH ARE SUBJECT TO CHANGE FROM TIME TO TIME. For the fullest, most current information on proper application, clean-up, mixing and other specifications and warranties, cautions and disclaimers, please refer to the Sto Corp. website, [www.stocorp.com](http://www.stocorp.com).

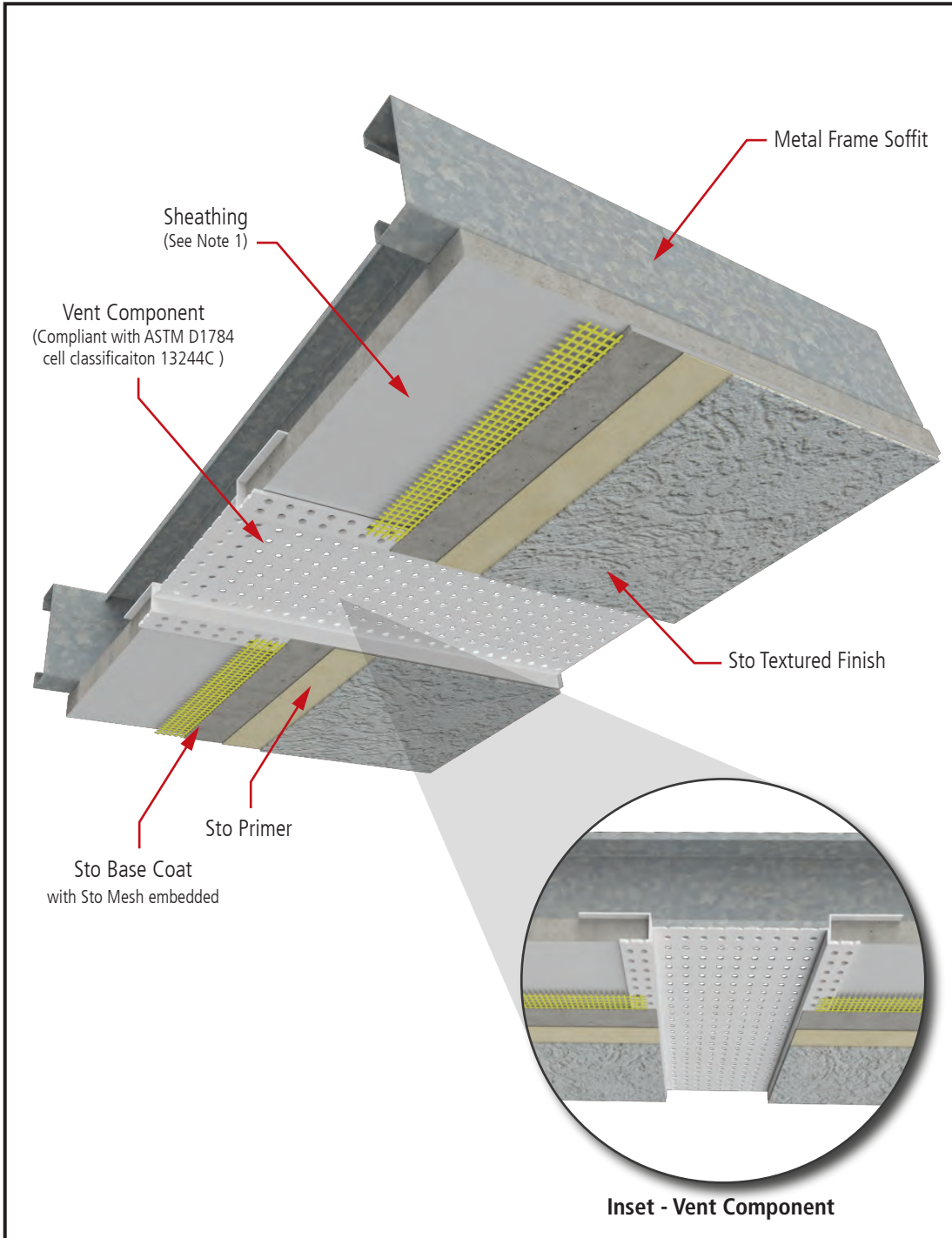


# StoQuik® Finish System for Soffits & Ceilings Vents

Detail No.: 14.10

Date: October 2023

Page 2 of 2



## Notes:

1. Glass mat gypsum sheathing in compliance with ASTM C1177 or cementitious sheathing in compliance with ASTM C1325.
2. Sheathing is to be installed on a structure sufficient to resist live loads limiting deflection to L/360 normal to the plane of the soffit.
3. Soffit shall be protected from wind blown rain.
4. Soffit shall be designed to prevent accumulation of water behind the sheathing and finish system.
5. StoQuik® Finish Systems for Soffits and Ceilings is not designed to function as an air barrier. The designer should not vent interior conditioned air into the cavity above the soffit.
6. Components not identified as Sto are furnished by other manufacturers and are not necessarily installed by trades who install the Sto products. Refer to project specific contract documents.

## ATTENTION

Property of Sto Corp. All Rights Reserved.

Sto products are intended for use by qualified professional contractors, not consumers, as a component of a larger construction assembly as specified by a qualified design professional, general contractor or builder. They should be installed in accordance with those specifications and Sto's instructions. Sto Corp. disclaims all, and assumes no, liability for on-site inspections, for its products applied improperly, or by unqualified persons or entities, or as part of an improperly designed or constructed building, for the nonperformance of adjacent building components or assemblies, or for other construction activities beyond Sto's control. Improper use of Sto products or use as part of an improperly designed or constructed larger assembly or building may result in serious damage to Sto products, and to the structure of the building or its components.

STO CORP. DISCLAIMS ALL WARRANTIES EXPRESSED OR IMPLIED EXCEPT FOR EXPLICIT LIMITED WRITTEN WARRANTIES ISSUED TO AND ACCEPTED BY BUILDING OWNERS IN ACCORDANCE WITH STO'S WARRANTY PROGRAMS WHICH ARE SUBJECT TO CHANGE FROM TIME TO TIME. For the fullest, most current information on proper application, clean-up, mixing and other specifications and warranties, cautions and disclaimers, please refer to the Sto Corp. website, [www.stocorp.com](http://www.stocorp.com).

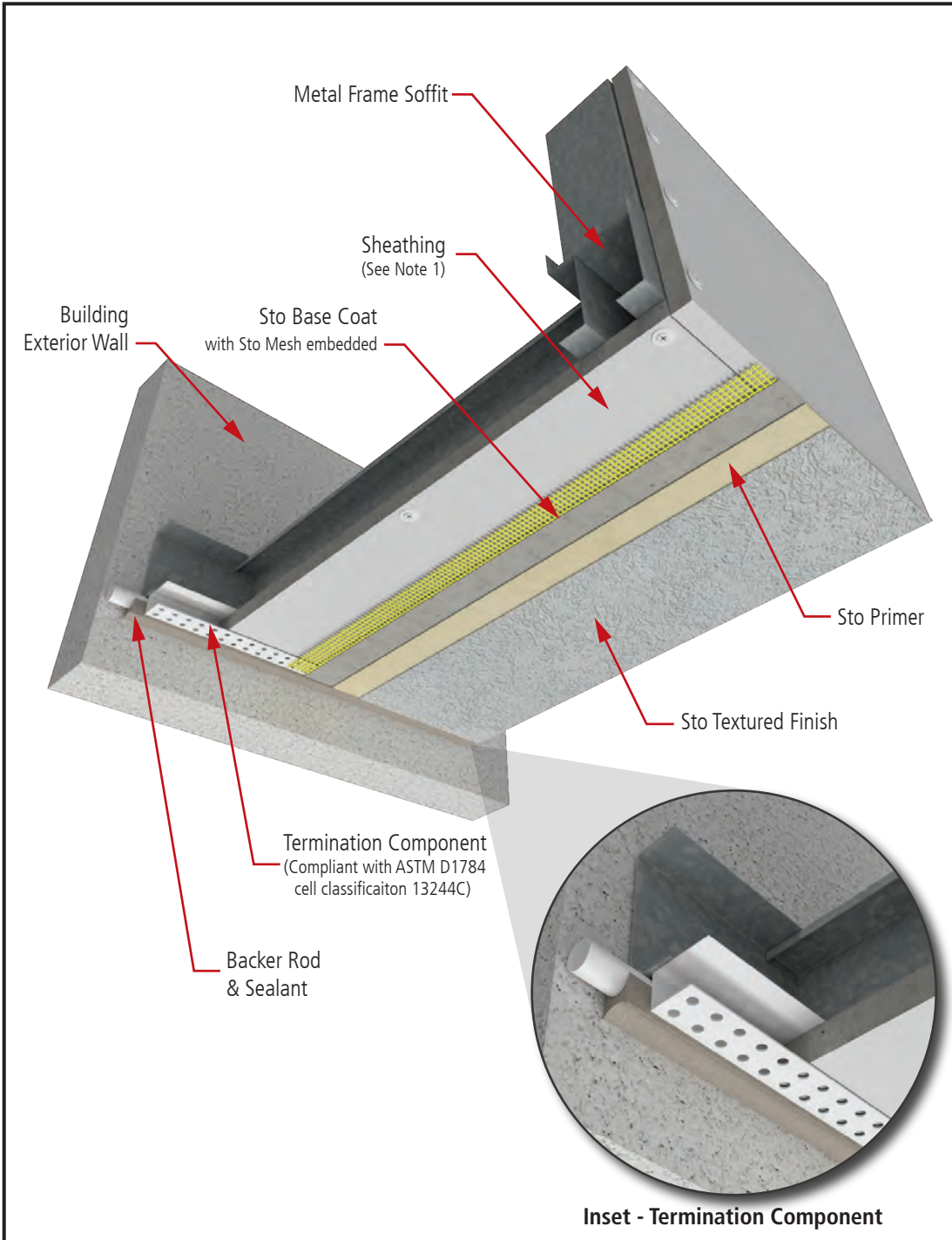
[www.stocorp.com](http://www.stocorp.com)



# StoQuik® Finish System for Soffits & Ceilings Termination at Abutting Wall

Detail No.: 14.20

Date: October 2023



## Notes:

1. Glass mat gypsum sheathing in compliance with ASTM C1177 or cementitious sheathing in compliance with ASTM C1325.
2. Sheathing is to be installed on a structure sufficient to resist live loads limiting deflection to L/360 normal to the plane of the soffit.
3. Soffit shall be protected from wind blown rain.
4. Soffit shall be designed to prevent accumulation of water behind the sheathing and finish system.
5. StoQuik® Finish Systems for Soffits and Ceilings is not designed to function as an air barrier. The designer should not vent interior conditioned air into the cavity above the soffit.
6. Components not identified as Sto are furnished by other manufacturers and are not necessarily installed by trades who install the Sto products. Refer to project specific contract documents.

## ATTENTION

Sto products are intended for use by qualified professional contractors, not consumers, as a component of a larger construction assembly as specified by a qualified design professional, general contractor or builder. They should be installed in accordance with those specifications and Sto's instructions. Sto Corp. disclaims all, and assumes no, liability for on-site inspections, for its products applied improperly, or by unqualified persons or entities, or as part of an improperly designed or constructed building, for the nonperformance of adjacent building components or assemblies, or for other construction activities beyond Sto's control. Improper use of Sto products or use as part of an improperly designed or constructed larger assembly or building may result in serious damage to Sto products, and to the structure of the building or its components.

STO CORP. DISCLAIMS ALL WARRANTIES EXPRESSED OR IMPLIED EXCEPT FOR EXPLICIT LIMITED WRITTEN WARRANTIES ISSUED TO AND ACCEPTED BY BUILDING OWNERS IN ACCORDANCE WITH STO'S WARRANTY PROGRAMS WHICH ARE SUBJECT TO CHANGE FROM TIME TO TIME. For the fullest, most current information on proper application, clean-up, mixing and other specifications and warranties, cautions and disclaimers, please refer to the Sto Corp. website, [www.stocorp.com](http://www.stocorp.com).

Property of Sto Corp. All Rights Reserved.

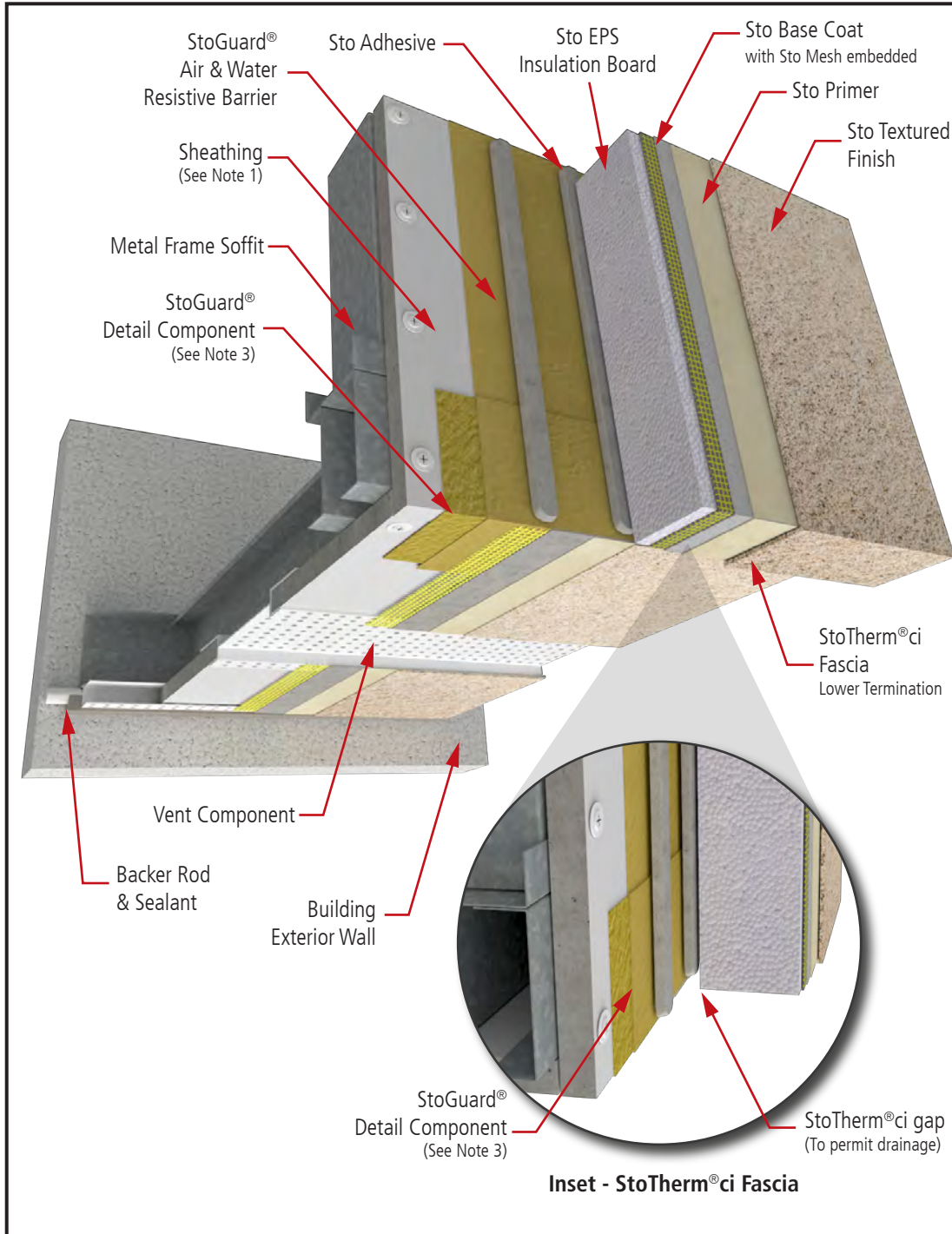
[www.stocorp.com](http://www.stocorp.com)



# StoQuik® Finish System for Soffits & Ceilings Termination at StoTherm®ci Fascia

Detail No.: 14.30

Date: October 2023



## Notes:

1. Glass mat gypsum sheathing in compliance with ASTM C1177 or cementitious sheathing in compliance with ASTM C1325.
2. Sheathing is to be installed on a structure sufficient to resist live loads limiting deflection to L/360 normal to the plane of the soffit.
3. Refer to StoGuard® Product Use Chart (Table 1.1) in the StoGuard® Air and Water Resistive Barrier Design Guide and Detail Booklet for StoGuard® detail components; joint treatment, rough opening protection, backing for masonry anchors, or transitions to dissimilar materials, joints and seams in construction.
4. StoTherm®ci Fascia is prewrapped and installed so that the bottom of the fascia is lower than the plane of the soffit providing protection from wind driven rain.

An alternative would be to integrate a flashing with the StoGuard® Air and Water-Resistive Barrier to direct water draining from behind the StoTherm®ci away from the soffit and providing additional protection from wind driven rain.

5. Components not identified as Sto are furnished by other manufacturers and are not necessarily installed by trades who install the Sto products. Refer to project specific contract documents.

## ATTENTION

Sto products are intended for use by qualified professional contractors, not consumers, as a component of a larger construction assembly as specified by a qualified design professional, general contractor or builder. They should be installed in accordance with those specifications and Sto's instructions. Sto Corp. disclaims all, and assumes no, liability for on-site inspections, for its products applied improperly, or by unqualified persons or entities, or as part of an improperly designed or constructed building, for the nonperformance of adjacent building components or assemblies, or for other construction activities beyond Sto's control. Improper use of Sto products or use as part of an improperly designed or constructed larger assembly or building may result in serious damage to Sto products, and to the structure of the building or its components.

STO CORP. DISCLAIMS ALL WARRANTIES EXPRESSED OR IMPLIED EXCEPT FOR EXPLICIT LIMITED WRITTEN WARRANTIES ISSUED TO AND ACCEPTED BY BUILDING OWNERS IN ACCORDANCE WITH STO'S WARRANTY PROGRAMS WHICH ARE SUBJECT TO CHANGE FROM TIME TO TIME. For the fullest, most current information on proper application, clean-up, mixing and other specifications and warranties, cautions and disclaimers, please refer to the Sto Corp. website, [www.stocorp.com](http://www.stocorp.com).

Property of Sto Corp. All Rights Reserved.

[www.stocorp.com](http://www.stocorp.com)

