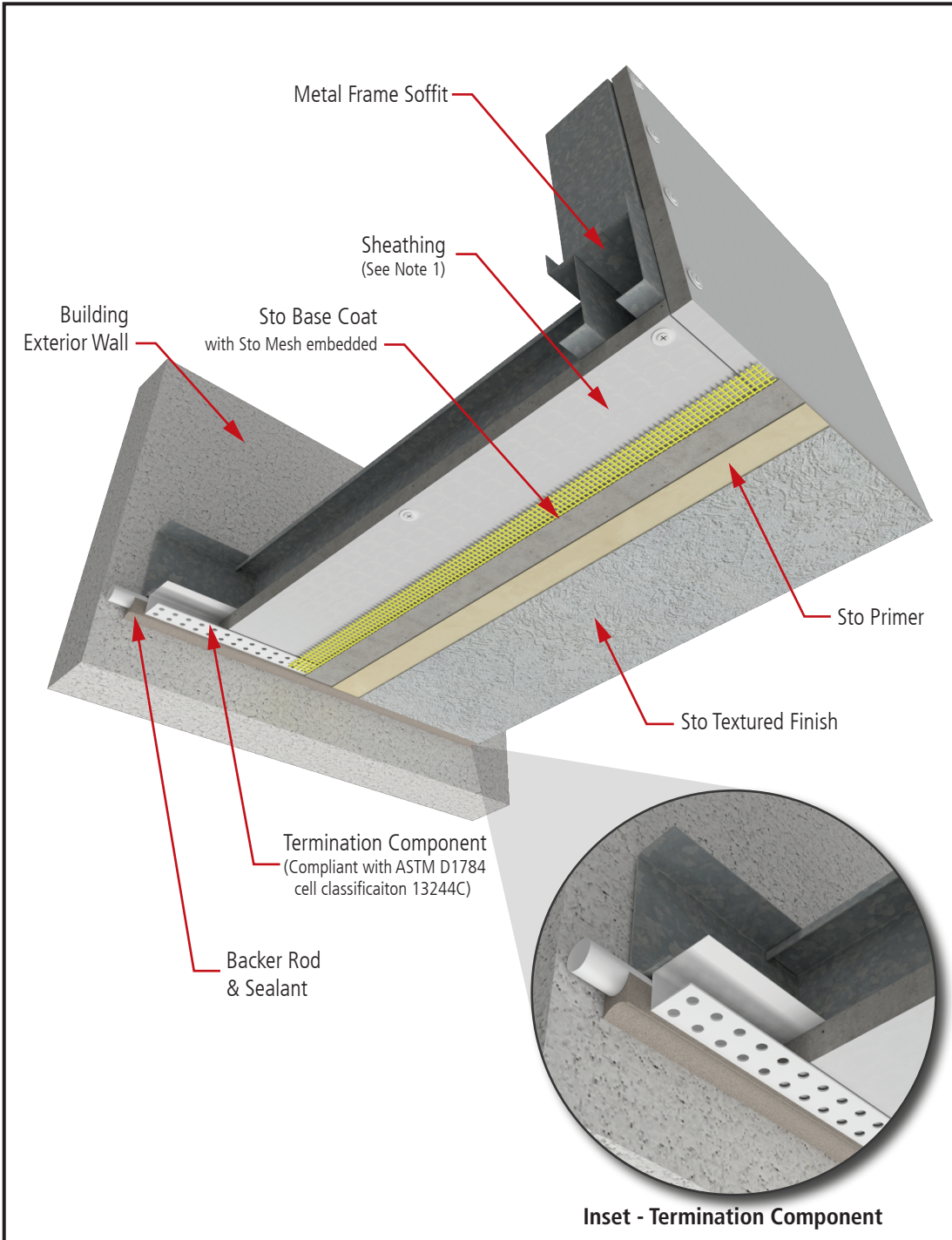


# StoQuik® Finish System for Soffits & Ceilings Termination at Abutting Wall

Detail No.: 14.20  
Date: October 2023



## Notes:

1. Glass mat gypsum sheathing in compliance with ASTM C1177 or cementitious sheathing in compliance with ASTM C1325.
2. Sheathing is to be installed on a structure sufficient to resist live loads limiting deflection to  $L/360$  normal to the plane of the soffit.
3. Soffit shall be protected from wind blown rain.
4. Soffit shall be designed to prevent accumulation of water behind the sheathing and finish system.
5. StoQuik® Finish Systems for Soffits and Ceilings is not designed to function as an air barrier. The designer should not vent interior conditioned air into the cavity above the soffit.
6. Components not identified as Sto are furnished by other manufacturers and are not necessarily installed by trades who install the Sto products. Refer to project specific contract documents.

## ATTENTION

Sto products are intended for use by qualified professional contractors, not consumers, as a component of a larger construction assembly as specified by a qualified design professional, general contractor or builder. They should be installed in accordance with those specifications and Sto's instructions. Sto Corp. disclaims all, and assumes no, liability for on-site inspections, for its products applied improperly, or by unqualified persons or entities, or as part of an improperly designed or constructed building, for the nonperformance of adjacent building components or assemblies, or for other construction activities beyond Sto's control. Improper use of Sto products or use as part of an improperly designed or constructed larger assembly or building may result in serious damage to Sto products, and to the structure of the building or its components.

STO CORP. DISCLAIMS ALL WARRANTIES EXPRESSED OR IMPLIED EXCEPT FOR EXPLICIT LIMITED WRITTEN WARRANTIES ISSUED TO AND ACCEPTED BY BUILDING OWNERS IN ACCORDANCE WITH STO'S WARRANTY PROGRAMS WHICH ARE SUBJECT TO CHANGE FROM TIME TO TIME. For the fullest, most current information on proper application, clean-up, mixing and other specifications and warranties, cautions and disclaimers, please refer to the Sto Corp. website, [www.stocorp.com](http://www.stocorp.com).

Property of Sto Corp. All Rights Reserved.

[www.stocorp.com](http://www.stocorp.com)

