

# StoQuik® Finish System for Pool Rooms

Detail Booklet

Series 12.xx | November 2022

Facades



Direct Applied  
Finish Systems (DEFS)

StoQuik® Finish System for Pool Rooms is a decorative and protective direct applied acrylic based textured finish system on interior vertical above grade walls and ceilings of indoor pool rooms. Sto's high performance finishes provide a handsome aesthetic and a durable exterior skin.

StoQuik® Finish System for Pool Rooms can be used in indoor residential or commercial wall construction.





# Details

## Components

Termination at Floor .....	12.10
Tile Installation .....	12.12
Termination at Dissimilar Material .....	12.20
Termination at Metal Deck .....	12.40
Termination at Joint .....	12.50
Termination at Penetrations .....	12.70



### ATTENTION

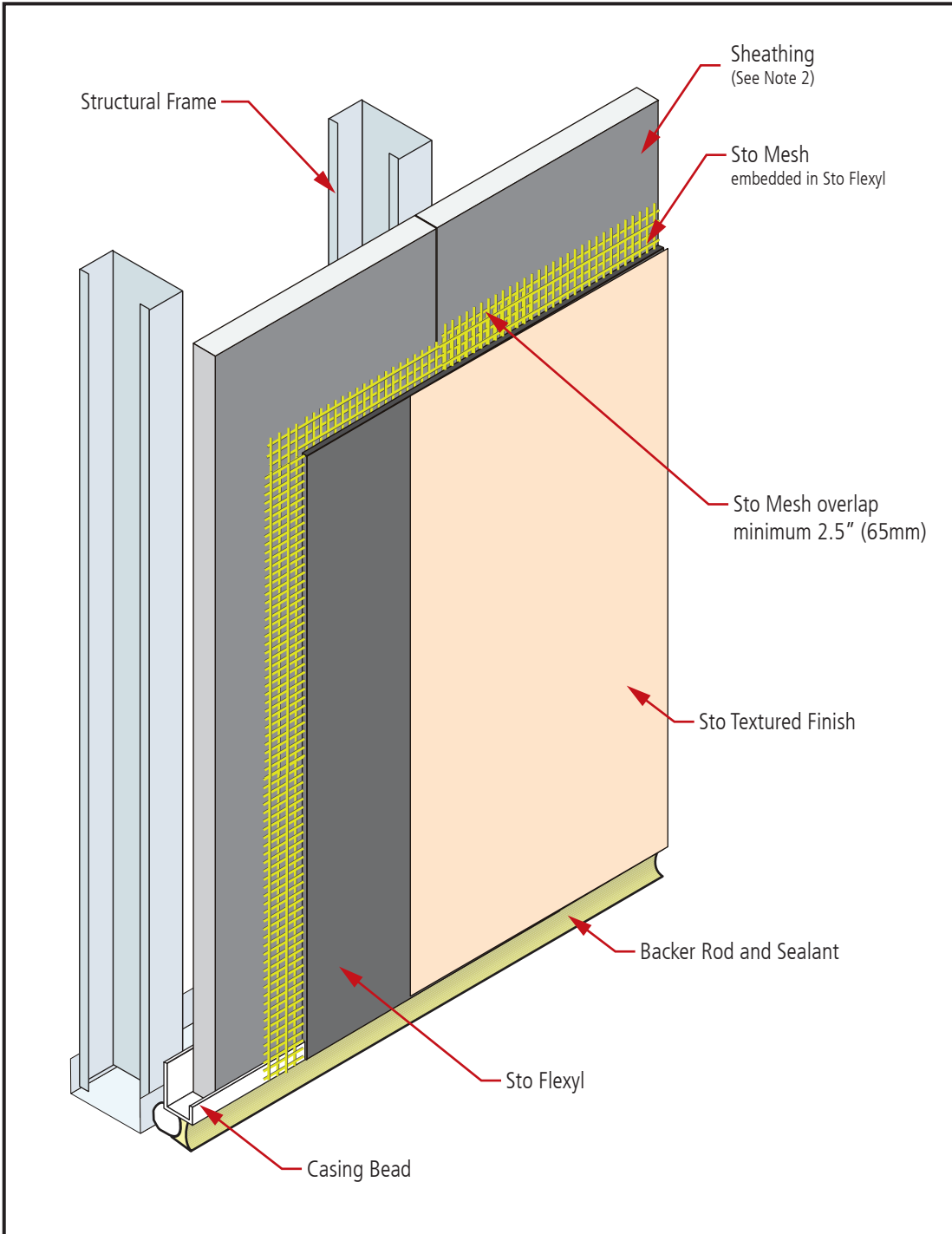
The final design of any project is the sole responsibility of the Design Professional, with considerations for compliance with local building and design codes and requirements. Sto Corp. accepts no liability for design, engineering, or workmanship of any project. The information provided herein is in addition to other technical data provided by Sto Corp. (System Bulletin, Specification, Guide Details, etc). For more information, please visit [www.stocorp.com](http://www.stocorp.com)

### Sto Corp.

3800 Camp Creek Pkwy. SW  
Bldg. 1400 • Suite 120  
Atlanta, GA 30331  
Tel: (800) 221-2397  
Fax: (404) 346-3119  
<http://www.stocorp.com>  
[helpdesk.stocorp.com](mailto:helpdesk.stocorp.com)

# StoQuik® Finish System for Pool Rooms Termination at Floor

Detail No.: 12.10  
Date: November 2022



- Notes:**
1. Refer to System Specifications and System Bulletin for more information and design guidance on wall assembly components.
  2. Approved Interior Pool Room Sheathing:
    - PermaBase® Brand cement board as manufactured by National Gypsum
    - DensShield® Tile Backer as manufactured by Georgia Pacific
    - Diamondback® Tile Backer as manufactured by CertainTeed
    - Durock® Brand cement board as manufactured by USG
    - Durock™ Brand Tile Backer as manufactured by USG
  3. Confirm suitability of sealants with sealant manufacturer.
  4. Components not identified as Sto are furnished by other manufacturers and are not necessarily installed by trades who install the Sto products. Refer to project specific contract documents.

**ATTENTION**

Property of Sto Corp. All Rights Reserved.

[www.stocorp.com](http://www.stocorp.com)

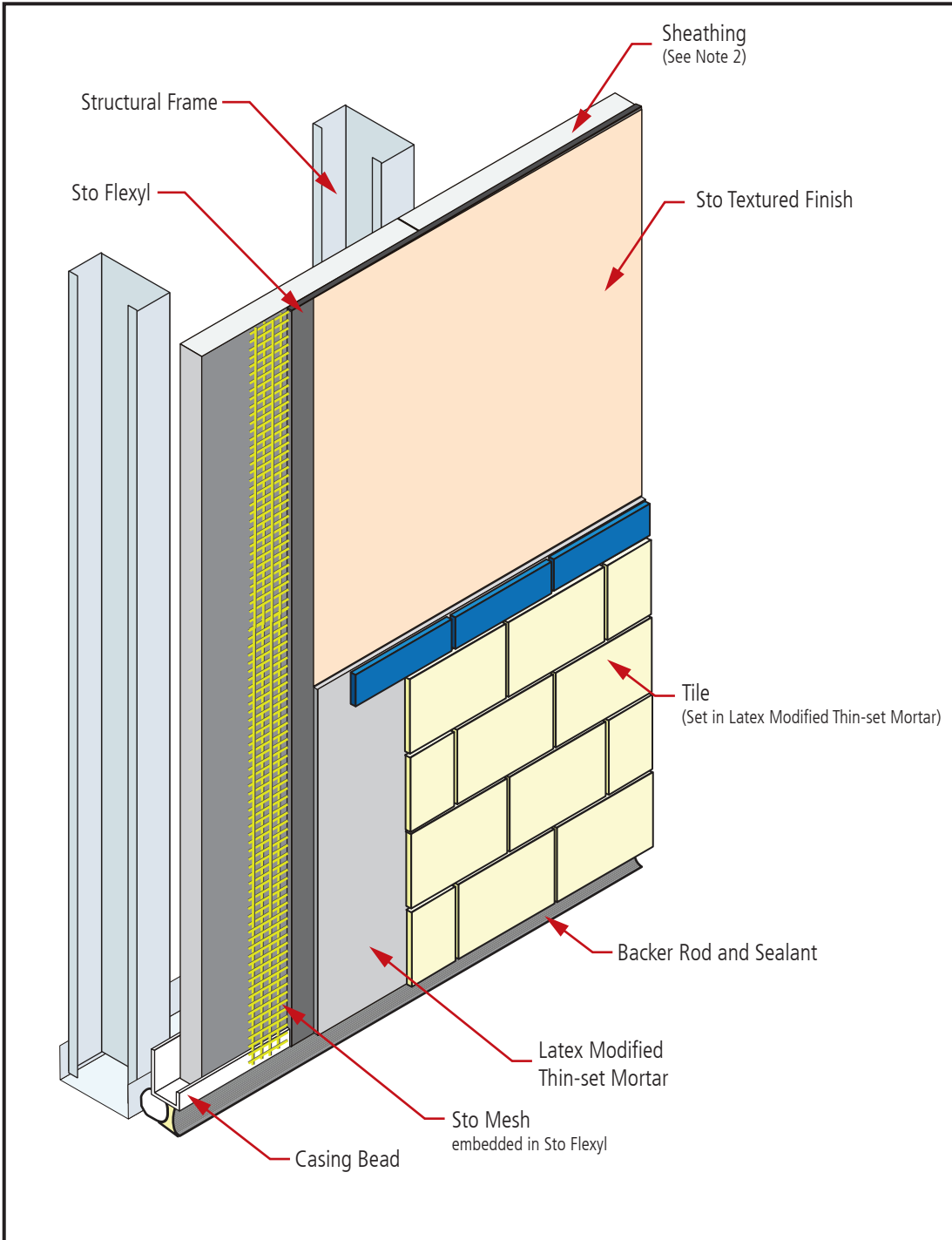
Sto products are intended for use by qualified professional contractors, not consumers, as a component of a larger construction assembly as specified by a qualified design professional, general contractor or builder. They should be installed in accordance with those specifications and Sto's instructions. Sto Corp. disclaims all, and assumes no, liability for on-site inspections, for its products applied improperly, or by unqualified persons or entities, or as part of an improperly designed or constructed building, for the nonperformance of adjacent building components or assemblies, or for other construction activities beyond Sto's control. Improper use of Sto products or use as part of an improperly designed or constructed larger assembly or building may result in serious damage to Sto products, and to the structure of the building or its components.

STO CORP. DISCLAIMS ALL WARRANTIES EXPRESSED OR IMPLIED EXCEPT FOR EXPLICIT LIMITED WRITTEN WARRANTIES ISSUED TO AND ACCEPTED BY BUILDING OWNERS IN ACCORDANCE WITH STO'S WARRANTY PROGRAMS WHICH ARE SUBJECT TO CHANGE FROM TIME TO TIME. For the fullest, most current information on proper application, clean-up, mixing and other specifications and warranties, cautions and disclaimers, please refer to the Sto Corp. website, [www.stocorp.com](http://www.stocorp.com).



# StoQuik® Finish System for Pool Rooms Tile Installation

Detail No.: 12.12  
Date: November 2022



## Notes:

1. Refer to System Specifications and System Bulletin for more information and design guidance on wall assembly components.
2. Approved Interior Pool Room Sheathing:
  - PermaBase® Brand cement board as manufactured by National Gypsum
  - DensShield® Tile Backer as manufactured by Georgia Pacific
  - Diamondback® Tile Backer as manufactured by CertainTeed
  - Durock® Brand cement board as manufactured by USG
  - Durock™ Brand Tile Backer as manufactured by USG
3. Confirm suitability of sealants with sealant manufacturer.
4. Components not identified as Sto are furnished by other manufacturers and are not necessarily installed by trades who install the Sto products. Refer to project specific contract documents.

## ATTENTION

Property of Sto Corp. All Rights Reserved.

Sto products are intended for use by qualified professional contractors, not consumers, as a component of a larger construction assembly as specified by a qualified design professional, general contractor or builder. They should be installed in accordance with those specifications and Sto's instructions. Sto Corp. disclaims all, and assumes no, liability for on-site inspections, for its products applied improperly, or by unqualified persons or entities, or as part of an improperly designed or constructed building, for the nonperformance of adjacent building components or assemblies, or for other construction activities beyond Sto's control. Improper use of Sto products or use as part of an improperly designed or constructed larger assembly or building may result in serious damage to Sto products, and to the structure of the building or its components.

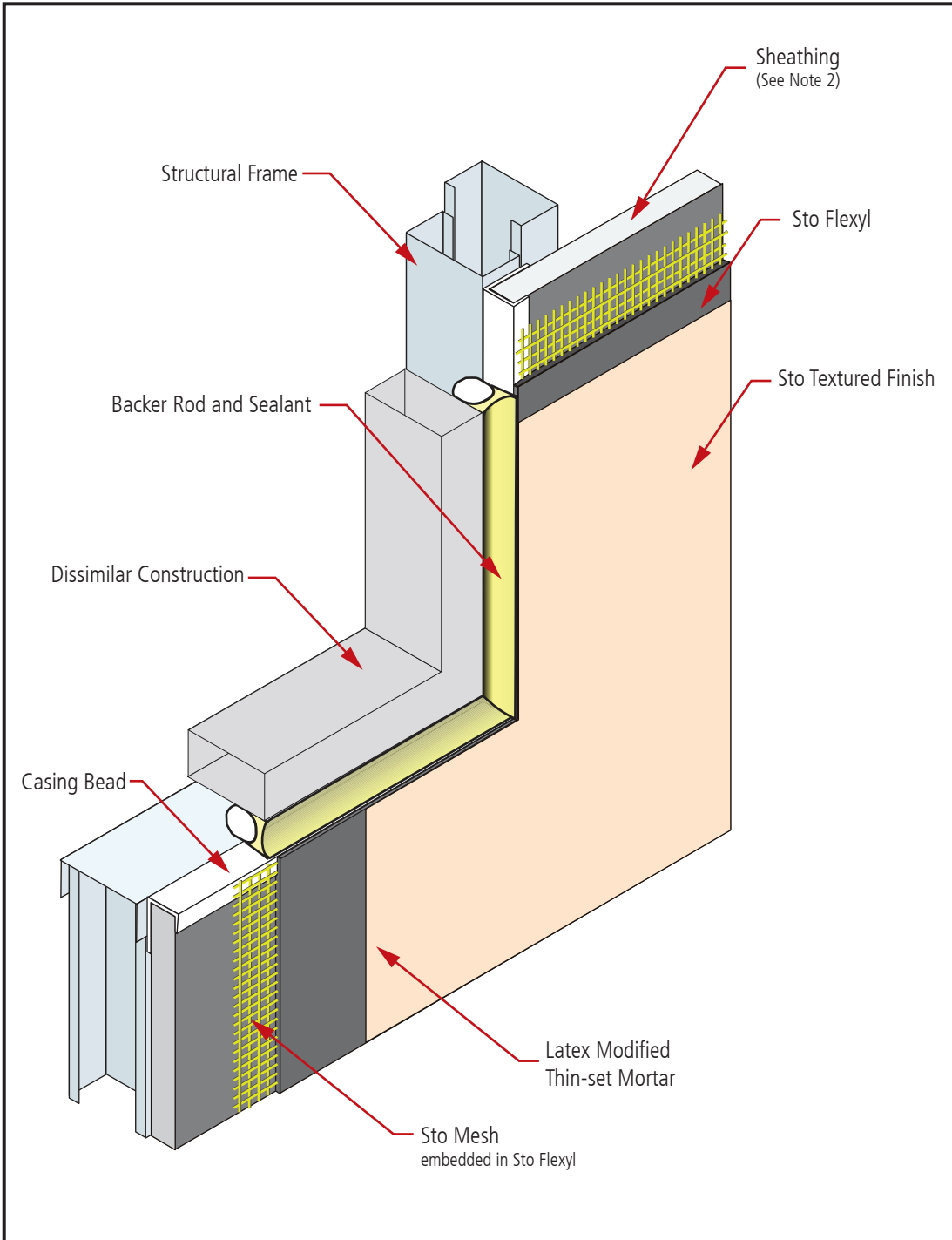
STO CORP. DISCLAIMS ALL WARRANTIES EXPRESSED OR IMPLIED EXCEPT FOR EXPLICIT LIMITED WRITTEN WARRANTIES ISSUED TO AND ACCEPTED BY BUILDING OWNERS IN ACCORDANCE WITH STO'S WARRANTY PROGRAMS WHICH ARE SUBJECT TO CHANGE FROM TIME TO TIME. For the fullest, most current information on proper application, clean-up, mixing and other specifications and warranties, cautions and disclaimers, please refer to the Sto Corp. website, [www.stocorp.com](http://www.stocorp.com).

[www.stocorp.com](http://www.stocorp.com)



# StoQuik® Finish System for Pool Rooms Termination at Dissimilar Material

Detail No.: 12.20  
Date: November 2022



## Notes:

1. Refer to System Specifications and System Bulletin for more information and design guidance on wall assembly components.
2. Approved Interior Pool Room Sheathing:
  - PermaBase® Brand cement board as manufactured by National Gypsum
  - DensShield® Tile Backer as manufactured by Georgia Pacific
  - Diamondback® Tile Backer as manufactured by CertainTeed
  - Durock® Brand cement board as manufactured by USG
  - Durock™ Brand Tile Backer as manufactured by USG
3. Confirm suitability of sealants with sealant manufacturer and supplier of the dissimilar material.
4. Components not identified as Sto are furnished by other manufacturers and are not necessarily installed by trades who install the Sto products. Refer to project specific contract documents.

## ATTENTION

Property of Sto Corp. All Rights Reserved.

[www.stocorp.com](http://www.stocorp.com)

Sto products are intended for use by qualified professional contractors, not consumers, as a component of a larger construction assembly as specified by a qualified design professional, general contractor or builder. They should be installed in accordance with those specifications and Sto's instructions. Sto Corp. disclaims all, and assumes no, liability for on-site inspections, for its products applied improperly, or by unqualified persons or entities, or as part of an improperly designed or constructed building, for the nonperformance of adjacent building components or assemblies, or for other construction activities beyond Sto's control. Improper use of Sto products or use as part of an improperly designed or constructed larger assembly or building may result in serious damage to Sto products, and to the structure of the building or its components.

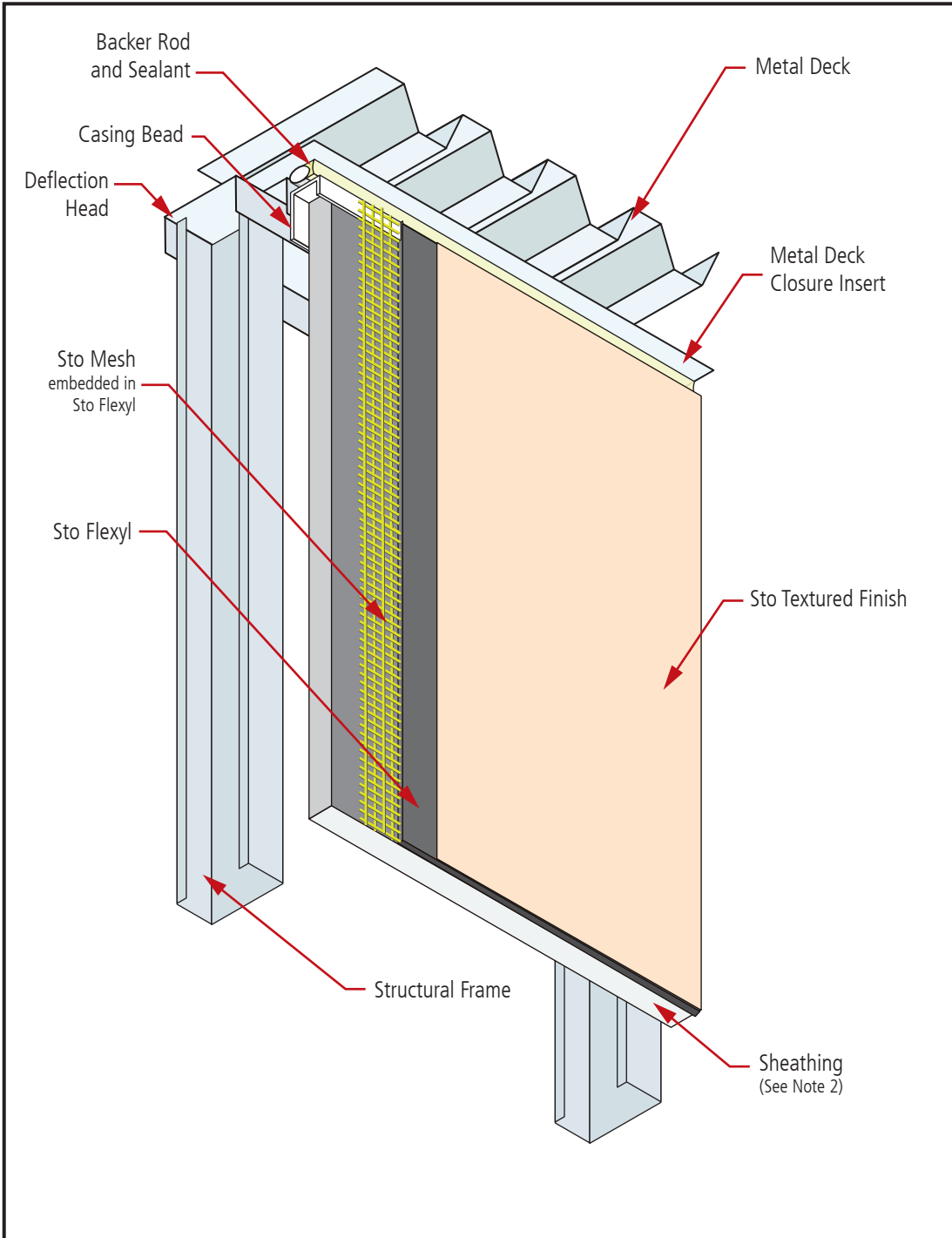
STO CORP. DISCLAIMS ALL WARRANTIES EXPRESSED OR IMPLIED EXCEPT FOR EXPLICIT LIMITED WRITTEN WARRANTIES ISSUED TO AND ACCEPTED BY BUILDING OWNERS IN ACCORDANCE WITH STO'S WARRANTY PROGRAMS WHICH ARE SUBJECT TO CHANGE FROM TIME TO TIME. For the fullest, most current information on proper application, clean-up, mixing and other specifications and warranties, cautions and disclaimers, please refer to the Sto Corp. website, [www.stocorp.com](http://www.stocorp.com).





# StoQuik® Finish System for Pool Rooms Termination at Metal Deck

Detail No.: 12.40  
Date: November 2022



### Notes:

1. Refer to System Specifications and System Bulletin for more information and design guidance on wall assembly components.
2. Approved Interior Pool Room Sheathing:
  - PermaBase® Brand cement board as manufactured by National Gypsum
  - DensShield® Tile Backer as manufactured by Georgia Pacific
  - Diamondback® Tile Backer as manufactured by CertainTeed
  - Durock® Brand cement board as manufactured by USG
  - Durock™ Brand Tile Backer as manufactured by USG
3. Confirm suitability of sealants with sealant manufacturer and supplier of the dissimilar material.
4. Components not identified as Sto are furnished by other manufacturers and are not necessarily installed by trades who install the Sto products. Refer to project specific contract documents.

### ATTENTION

Property of Sto Corp. All Rights Reserved.

Sto products are intended for use by qualified professional contractors, not consumers, as a component of a larger construction assembly as specified by a qualified design professional, general contractor or builder. They should be installed in accordance with those specifications and Sto's instructions. Sto Corp. disclaims all, and assumes no, liability for on-site inspections, for its products applied improperly, or by unqualified persons or entities, or as part of an improperly designed or constructed building, for the nonperformance of adjacent building components or assemblies, or for other construction activities beyond Sto's control. Improper use of Sto products or use as part of an improperly designed or constructed larger assembly or building may result in serious damage to Sto products, and to the structure of the building or its components.

STO CORP. DISCLAIMS ALL WARRANTIES EXPRESSED OR IMPLIED EXCEPT FOR EXPLICIT LIMITED WRITTEN WARRANTIES ISSUED TO AND ACCEPTED BY BUILDING OWNERS IN ACCORDANCE WITH STO'S WARRANTY PROGRAMS WHICH ARE SUBJECT TO CHANGE FROM TIME TO TIME. For the fullest, most current information on proper application, clean-up, mixing and other specifications and warranties, cautions and disclaimers, please refer to the Sto Corp. website, [www.stocorp.com](http://www.stocorp.com).

[www.stocorp.com](http://www.stocorp.com)

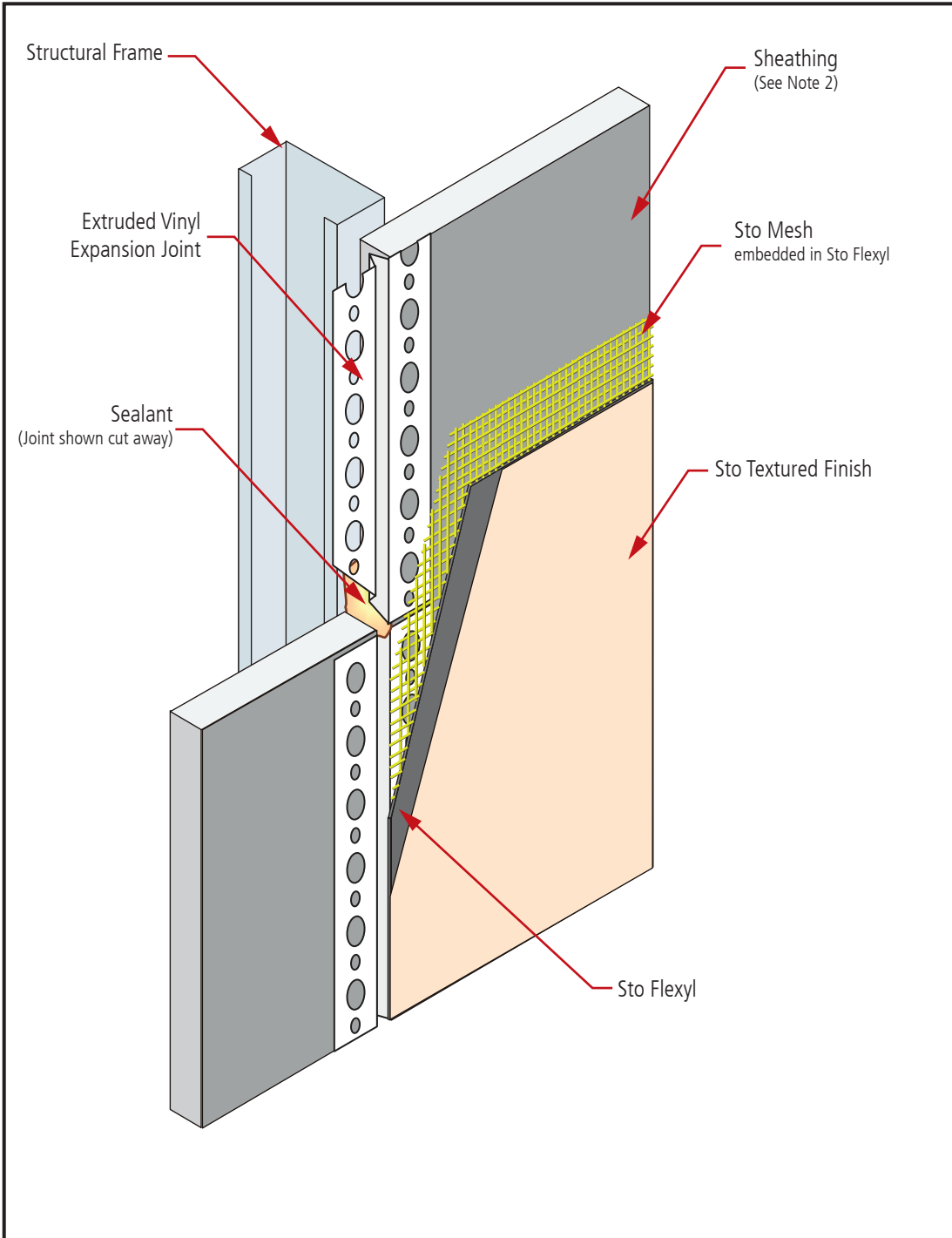


# StoQuik® Finish System for Pool Rooms

## Termination at Joint

Detail No.: 12.50

Date: November 2022



### Notes:

1. Refer to System Specifications and System Bulletin for more information and design guidance on wall assembly components.
2. Approved Interior Pool Room Sheathing:
  - PermaBase® Brand cement board as manufactured by National Gypsum
  - DensShield® Tile Backer as manufactured by Georgia Pacific
  - Diamondback® Tile Backer as manufactured by CertainTeed
  - Durock® Brand cement board as manufactured by USG
  - Durock™ Brand Tile Backer as manufactured by USG
3. Install extruded vinyl joints as per manufacturers recommendations. Set joint intersections and terminations in sealant to prevent water penetration behind the joint.
4. Components not identified as Sto are furnished by other manufacturers and are not necessarily installed by trades who install the Sto products. Refer to project specific contract documents.

### ATTENTION

Property of Sto Corp. All Rights Reserved.

Sto products are intended for use by qualified professional contractors, not consumers, as a component of a larger construction assembly as specified by a qualified design professional, general contractor or builder. They should be installed in accordance with those specifications and Sto's instructions. Sto Corp. disclaims all, and assumes no, liability for on-site inspections, for its products applied improperly, or by unqualified persons or entities, or as part of an improperly designed or constructed building, for the nonperformance of adjacent building components or assemblies, or for other construction activities beyond Sto's control. Improper use of Sto products or use as part of an improperly designed or constructed larger assembly or building may result in serious damage to Sto products, and to the structure of the building or its components.

STO CORP. DISCLAIMS ALL WARRANTIES EXPRESSED OR IMPLIED EXCEPT FOR EXPLICIT LIMITED WRITTEN WARRANTIES ISSUED TO AND ACCEPTED BY BUILDING OWNERS IN ACCORDANCE WITH STO'S WARRANTY PROGRAMS WHICH ARE SUBJECT TO CHANGE FROM TIME TO TIME. For the fullest, most current information on proper application, clean-up, mixing and other specifications and warranties, cautions and disclaimers, please refer to the Sto Corp. website, [www.stocorp.com](http://www.stocorp.com).

[www.stocorp.com](http://www.stocorp.com)

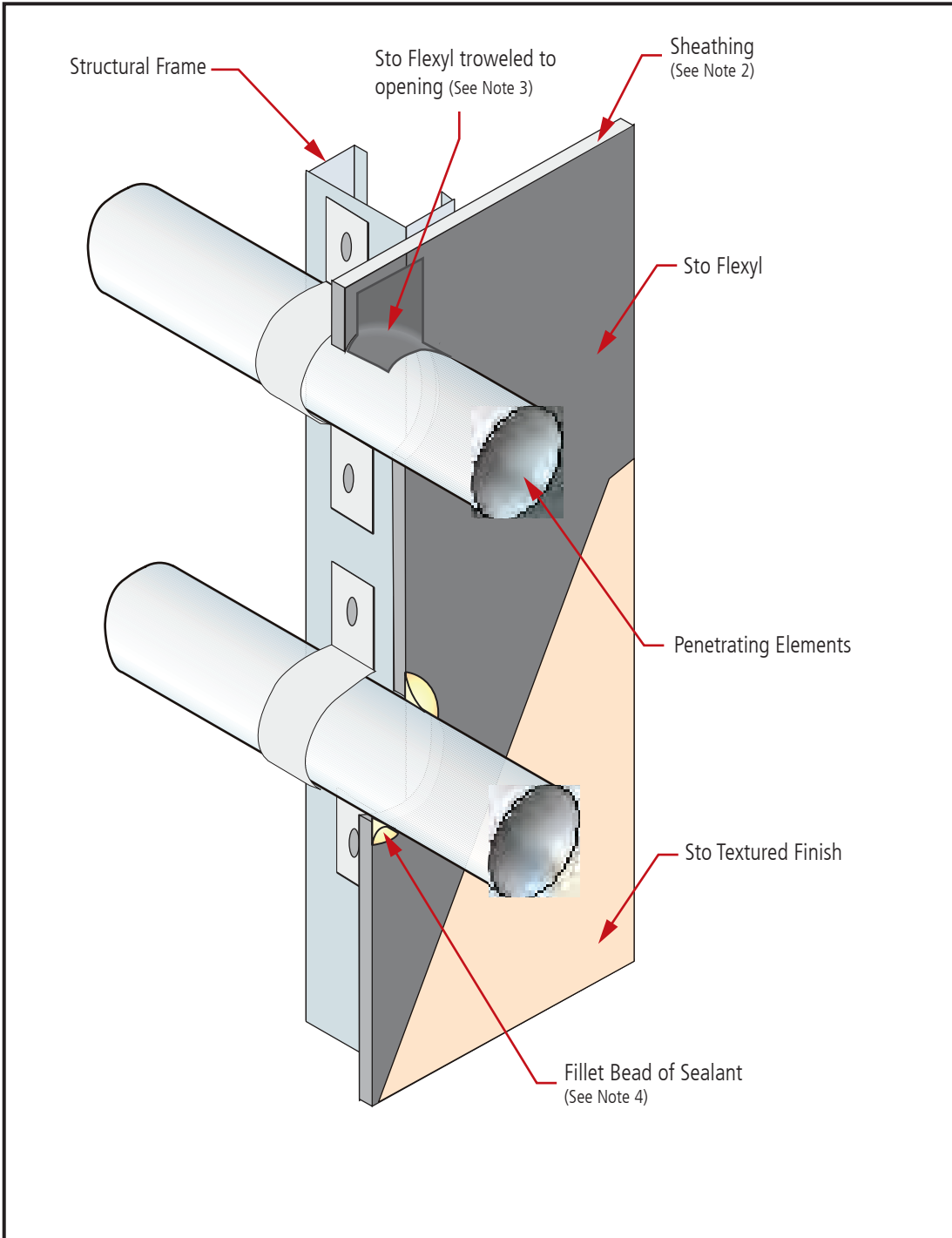


# StoQuik® Finish System for Pool Rooms

## Termination at Penetrations

Detail No.: 12.70

Date: November 2022



### Notes:

1. Refer to System Specifications and System Bulletin for more information and design guidance on wall assembly components.
2. Approved Interior Pool Room Sheathing:
  - PermaBase® Brand cement board as manufactured by National Gypsum
  - DensShield® Tile Backer as manufactured by Georgia Pacific
  - Diamondback® Tile Backer as manufactured by CertainTeed
  - Durock® Brand cement board as manufactured by USG
  - Durock™ Brand Tile Backer as manufactured by USG
3. If no movement is anticipated in the penetrating element, install Sto Flexyl tightly around element.
4. If movement is anticipated then a bead of sealant should be installed around the penetrating element. Confirm suitability of sealants with sealant manufacturer
5. Components not identified as Sto are furnished by other manufacturers and are not necessarily installed by trades who install the Sto products. Refer to project specific contract documents.

### ATTENTION

Property of Sto Corp. All Rights Reserved.

Sto products are intended for use by qualified professional contractors, not consumers, as a component of a larger construction assembly as specified by a qualified design professional, general contractor or builder. They should be installed in accordance with those specifications and Sto's instructions. Sto Corp. disclaims all, and assumes no, liability for on-site inspections, for its products applied improperly, or by unqualified persons or entities, or as part of an improperly designed or constructed building, for the nonperformance of adjacent building components or assemblies, or for other construction activities beyond Sto's control. Improper use of Sto products or use as part of an improperly designed or constructed larger assembly or building may result in serious damage to Sto products, and to the structure of the building or its components.

STO CORP. DISCLAIMS ALL WARRANTIES EXPRESSED OR IMPLIED EXCEPT FOR EXPLICIT LIMITED WRITTEN WARRANTIES ISSUED TO AND ACCEPTED BY BUILDING OWNERS IN ACCORDANCE WITH STO'S WARRANTY PROGRAMS WHICH ARE SUBJECT TO CHANGE FROM TIME TO TIME. For the fullest, most current information on proper application, clean-up, mixing and other specifications and warranties, cautions and disclaimers, please refer to the Sto Corp. website, [www.stocorp.com](http://www.stocorp.com).

[www.stocorp.com](http://www.stocorp.com)

